



Features/Benefits

- Battery Back-Up
- Lightning Surge Protection
- Available With Upgrade Kits
- Lockable Weatherproof Cabinet
- Internal Branch Circuit Protection
- 120 VAC Single Phase or 240 VAC Two Phase

Smart Crosswalk™ Power Control Unit (PCU)

LightGuard Systems Part Number: LGS-PCU-AC

Description: Standard AC PCU with Programmable Interface

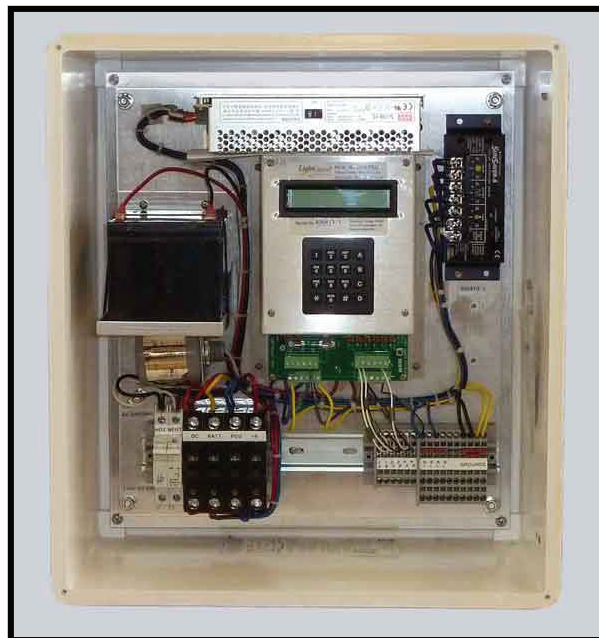
Application Notes

The power control unit (PCU) accepts call signal inputs from either a manual pedestrian push button device or an automatic pedestrian activation detector to initiate the Enlighten1™ flashing light sequence thereby visually alerting motorists to the presence of pedestrians entering the crosswalk. The flashing sequence is activated for a factory preset (field adjustable) duration to allow pedestrians adequate street crossing time.

The programmable control unit user interface has a 16 digit keypad. There is also a 2 line-20 character liquid crystal display supported by a 2 megabyte external memory. The programmable control unit is based on a high-speed 8 bit embedded microcontroller utilizing compiled machine control language. LightGuard proprietary software provides effective reliable operation allowing the user to make adjustments to the system parameters.

The microprocessor interface allows for multiple option selections, data collection, and preset programming. PCU memory contains a limited number (approximately 65,000) of "date/time stamped" activation counts, diagnostic and power-up events. The PCU is capable of data transfer and remote communication via the PCU RS232 serial port.

Factory installed battery backup ensures continual system function during power outages. The 12 volt DC sealed lead-acid battery is rated at 12 Ah @ 20 hour rate ensuring system operation.



General Performance Specifications

Parameter	Value
Power Consumption	1 Watt (In Standby Mode)
Operating Temp	0°C to +50°C
Input Operating Voltage	120 VAC or 240 VAC
Input Current Protection	5A Fast Acting (2 Pole Circuit Breaker)
Input Surge Suppression	3000 Joules Per Pole, 100,000 Amps
Output Operating Voltage	13.5 VDC to 15VDC
Output DC Load Max	10 Amps
Enclosure Type	NEMA 6 Fiberglass W/Padlock Latch
Enclosure Color	White (Standard)
Enclosure Size	18" x 16" x 8"
Battery Backup	12AH SLA

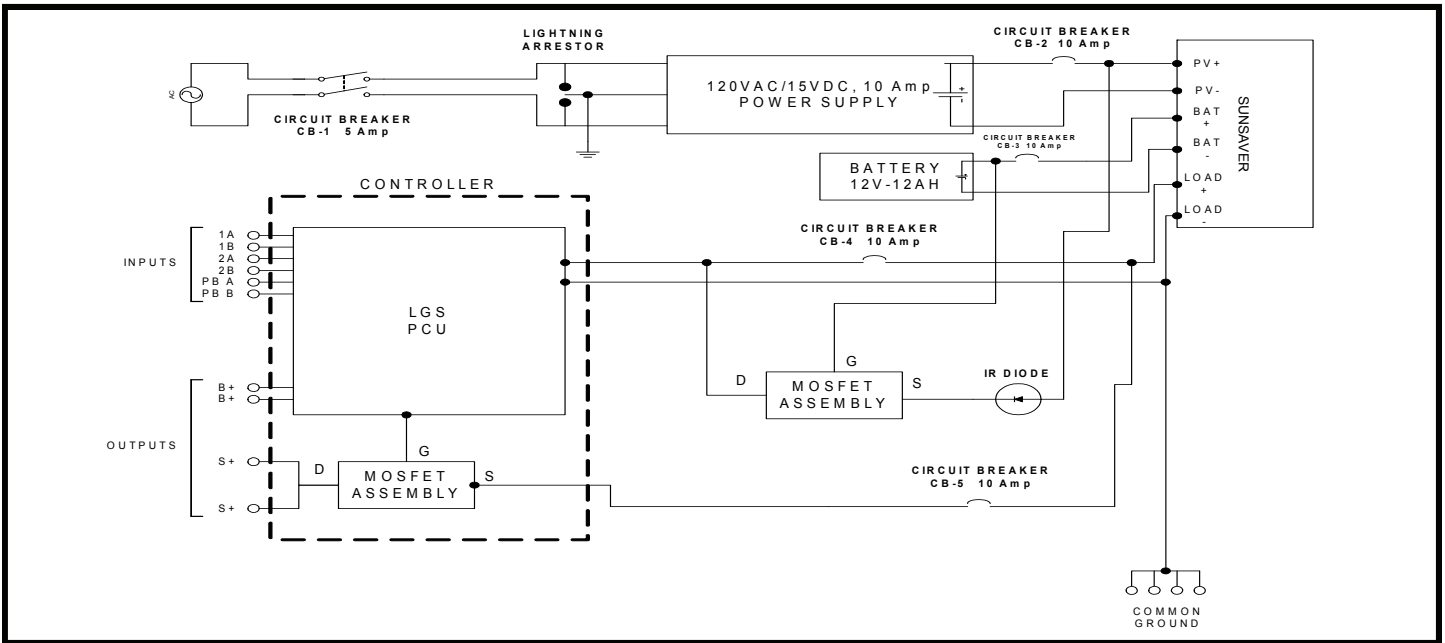
NO ENCLOSURE

LightGuard Systems Part Number: LGS-PCU/BKPN-AC

Description: Standard AC PCU with Programmable Interface

The Standard AC PCU incorporates the same features without the enclosure.

Internal Wiring Diagram



Pole Mounting Enclosure With Hardware

NEMA 6 FIBERGLASS ENCLOSURE

