



Features/Benefits

- Easily Installed In Roadway
- Maintenance Free Operation
- Resistant Marine Grade Coating
- Self Clearing Debris Free™ Design
- High Strength Case Hardened Steel
- Can Be Installed In Asphalt Or Concrete
- Secures Smart Crosswalk™ Signal Head

SMART CROSSWALK™ SYSTEM SNOW PLOW RESISTANT BASE PLATE

LightGuard System Part Number: LGS-CHS-14

Description: 14" Snow Plow Resistant Base Plate

Application Notes

The CHS-14 mounting base plate is embedded into the roadway securing the In-Roadway Warning Lights (IRWL) signal heads. The case hardened steel base plate is coated with 2 coats of corrosion resistant steel primer. Two part epoxy is used to permanently embed the base plate into the roadway. The signal head is fastened to the base plate with stainless steel socket head 1/4"-20 screws with thread locks, anti-seize compound is applied to the threads in the factory.

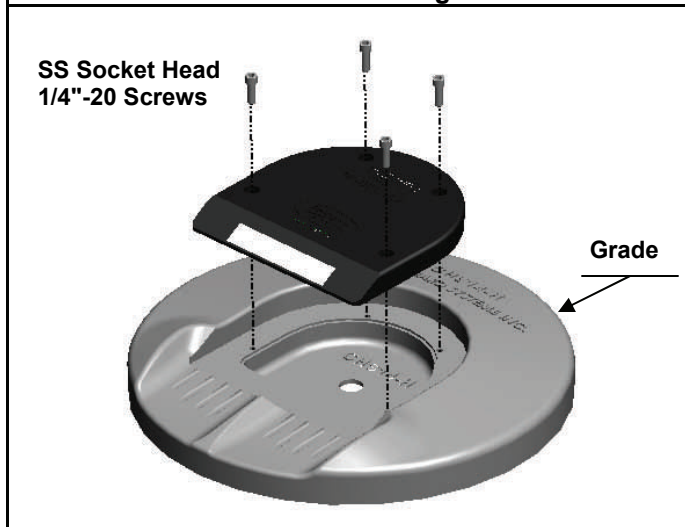
The shallow depth of the base plate ensures that the sub surface of the road base is not compromised. The top outer edge of the base plate is flush with the road surface with the signal head projecting 1/2" above the road surface. The steel base plate is designed for installation in asphalt or concrete roadbeds located in "snow country". The base plate interior cavity is designed to contain the cable wiring for the signal head. The electrical conductors are installed through direct burial or inside conduit. This base plate is compatible with all previous LightGuard signal head modules.

General Performance Specifications

Parameter	Value
Operating Temp	-20° to +80°C
Material	High Strength Case Hardened Steel
Color	Gray, Silver, or Black
Size	13 7/8" diameter, 1.875" deep
Weight	25 lb



Street mounting



Typical Base Plate Internal Wiring Diagram

